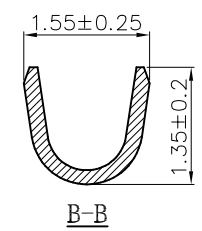
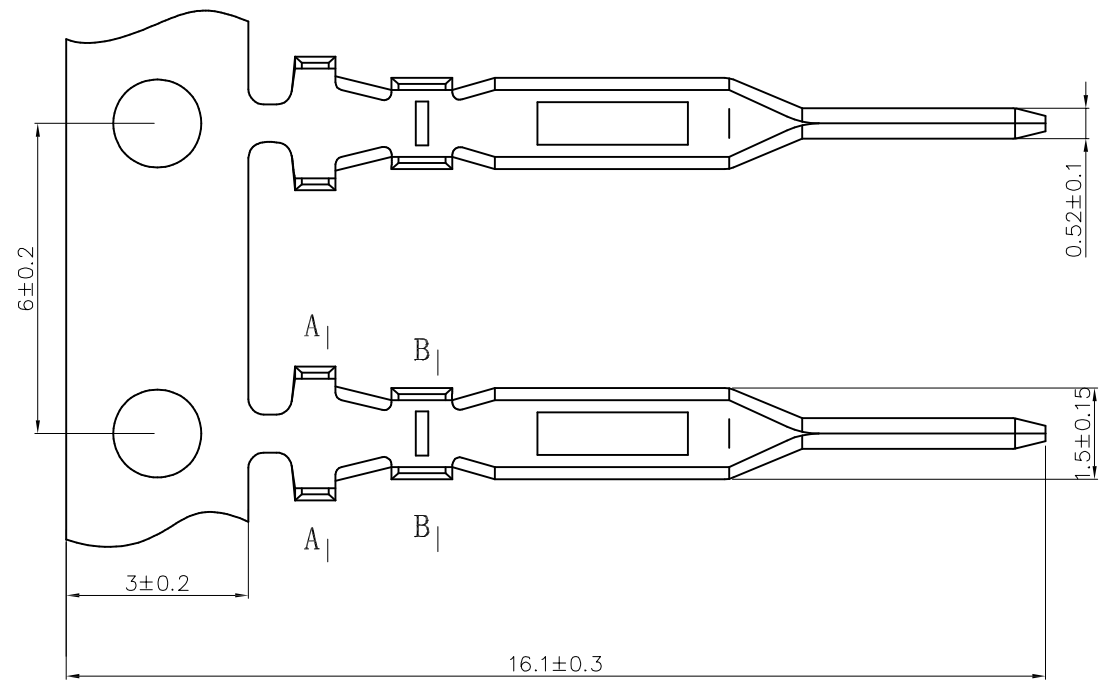
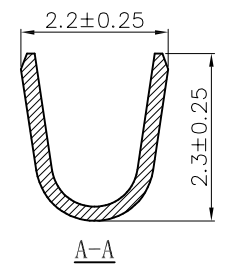
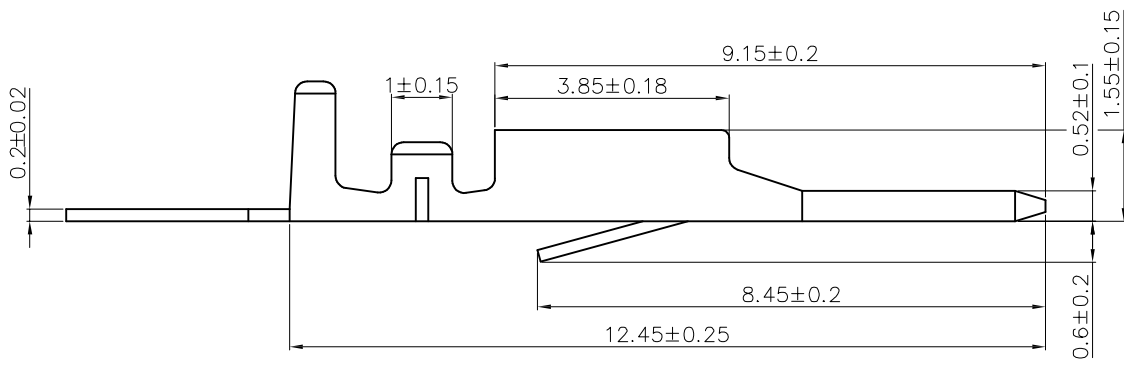


REV	ECN No.	DESCRIPTION	DESIGN	DATE
A0		Release	吴丹平	2017.05.31



Ordering Information & Specification:

Part No	Wire Range	Insulation O.D.	Material	Finish	Qty/Reel
C2003RT-PA	AWG #22~#28	1.0~1.50mm	Phosphor bronze	Sn-plated	
JKUN 温州健坤接插件有限公司 WENZHOU JKUN CONNECTOR CO., LTD.				TITLE: C2003RT	
X.±0.5	X.±5'	USE: CUSTOMER		PART NO.: C2003RT-PA	
.X±0.3	.X±2'	APPD: 邵敬和		DWG NO.: JKUN-GCDZ-0054	
.XX±0.25	.XX±1'	CHKD: 田峰		SCALE: 1 : 1	
--	--	DR: 吴丹平		SHEET: 1 / 1	
UNITS: mm					