

A

B

C

D

E

F

REV	DESCRIPTION	DESIGN	DATE
A0	Release	蒋建银	2017.10.10

1

1

2

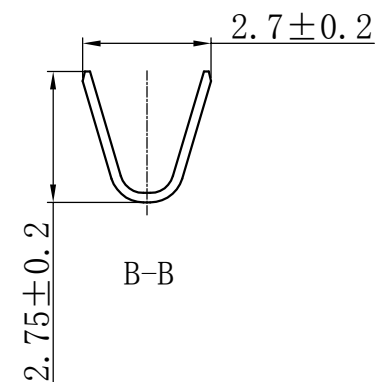
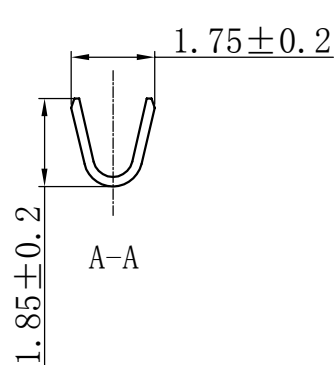
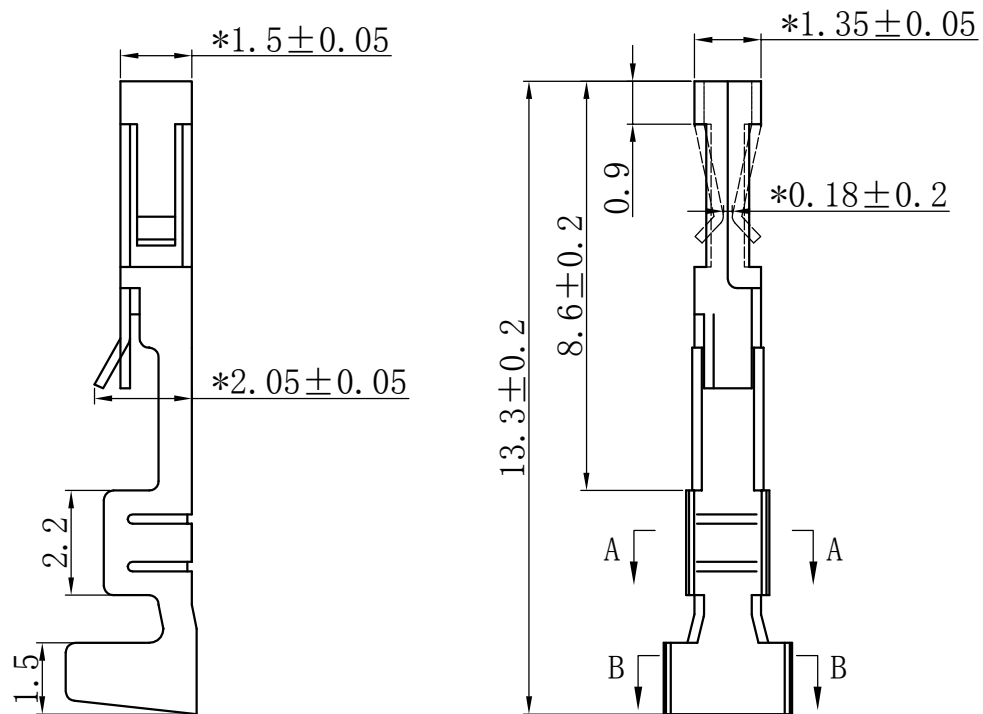
2

3

3

4

4



Ordering Information & Specification:

Part No	Wire Range	Insulation O.D.	Material	Finish	Qty/Reel
C2542PT-04端子	AWG #20~#24	2.7mm(max)	Phosphor bronze	Sn-plated	

JKUN 温州健坤接插件有限公司 WENZHOU JKUN CONNECTOR CO., LTD.			TITLE: 高脚	
X \pm 0.5	X \pm 5'	USE: CUSTOMER	PART NO.:	
.X \pm 0.3	.X \pm 2'		C2542PT端子	
.XX \pm 0.25	.XX \pm 1'	APPD: 邵敬和	DWG NO.:	
--	--	CHKD: 田峰	JKUN/GCDZ-0063	
		UNITS: mm	DR: 蒋建银	SCALE 1:1
				SHEET 1/1

5

A

B

C

D

E

F