

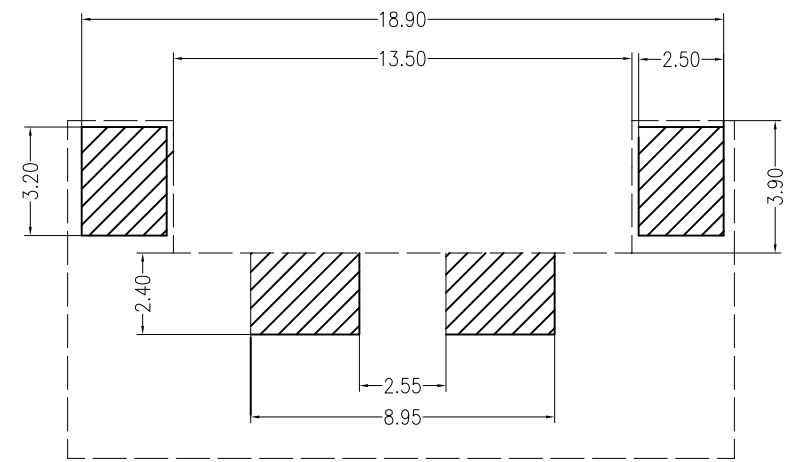
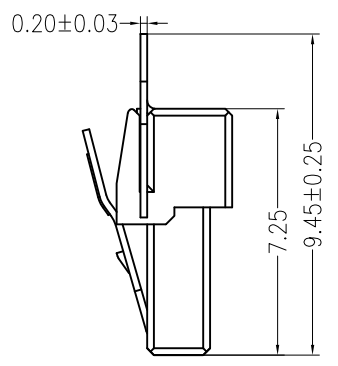
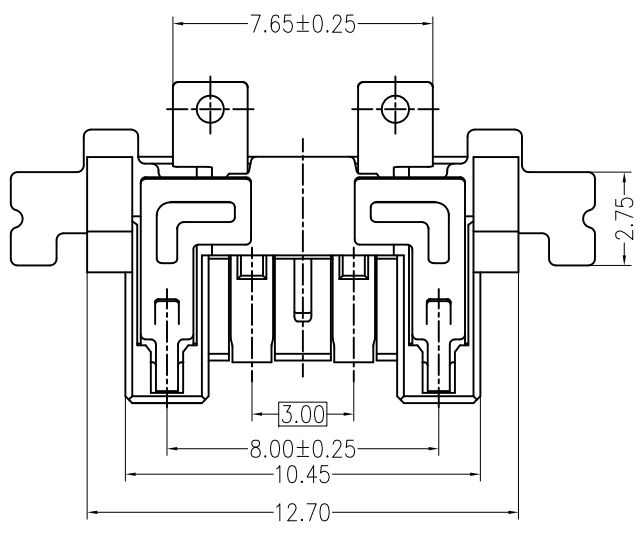
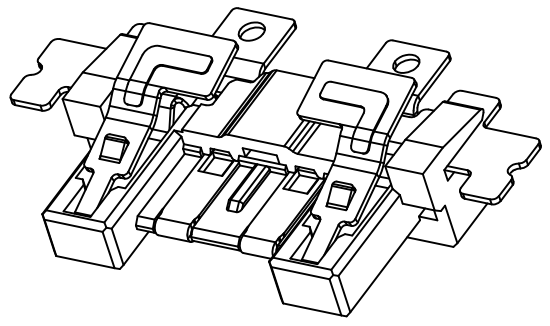
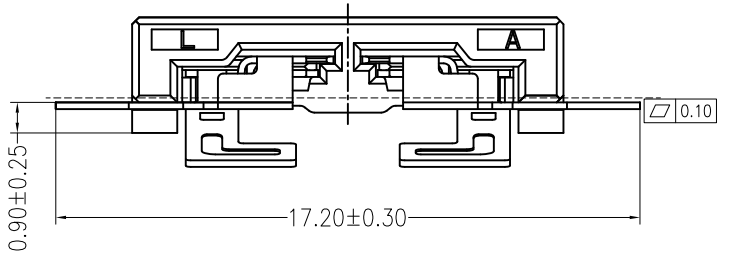
REV	DESCRIPTION	DESIGN	DATE
A	NEW RELEASE	FangSongLe	2020/09/05

Specifications:

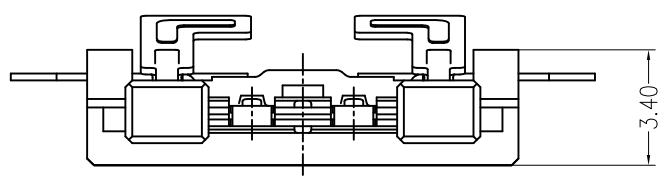
Contact resistance: $\leq 30m\Omega$
 Insulation resistance: $\geq 1000M\Omega$
 Rated voltage: 200V AC DC
 Rated current: 1.0A AC DC
 Withstand Voltage: 1000V AC/minute
 Temperature Range: $-25^{\circ}C \sim +105^{\circ}C$
 Housing: LCP UL94V-0, BEIGE
 Contacts: PhosphorBronze/MATTE Sn

ORDER INFORMATION:

B3002G-02-F3MB1-R			
PART No.		PACKAGING:	R=REEL
No.OF CIRCUITS:	02	Metal code:	1=PhosphorBronze
PLASTIC MATERIAL:	F3M=LCP (BEIGE)	PLATING:	B=MATTE Sn



P. C. B LAYOUT



JKUN 温州健坤接插件有限公司 WENZHOU JKUN CONNECTOR CO.,LTD.		TITLE: 3.0mm Pitch BTB SMT TYPE	
GENERAL TOLERANCE		USE: CUSTOMER	PART NO.:
X. ±0.50	X. ±5'	APPD: WangFeng	B3002G-02-F3MB1-R
X.X ±0.30	X.X ±2'	CHKD: Steven	DWG NO.:
X.XX ±0.20	X.XX ±1'	DR: FangSongLe	JKUN-GCKH-0854
		UNITS: mm	SCALE
			1 : 1
			SHEET
			1 / 1