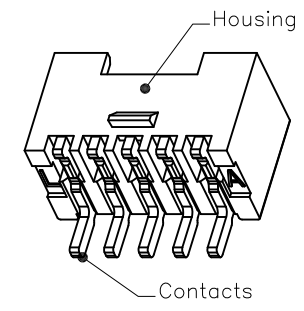
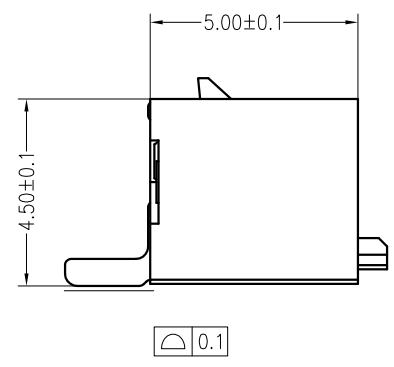
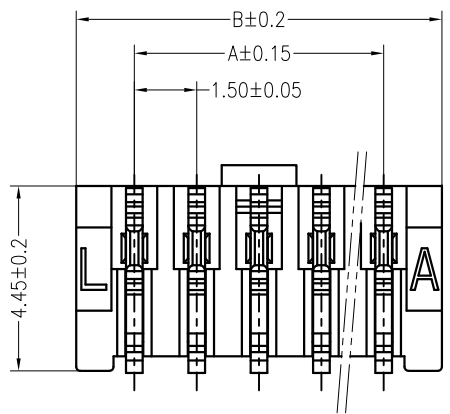
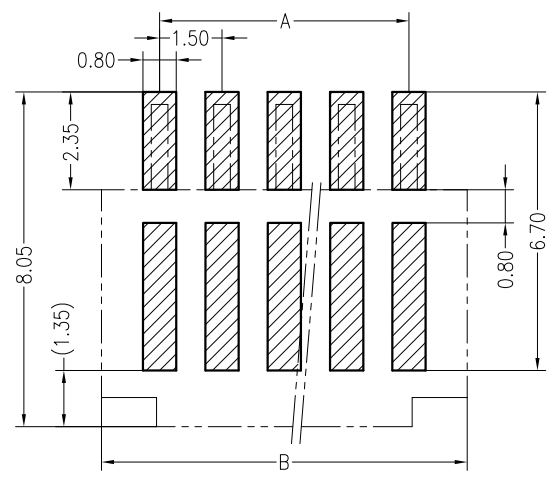
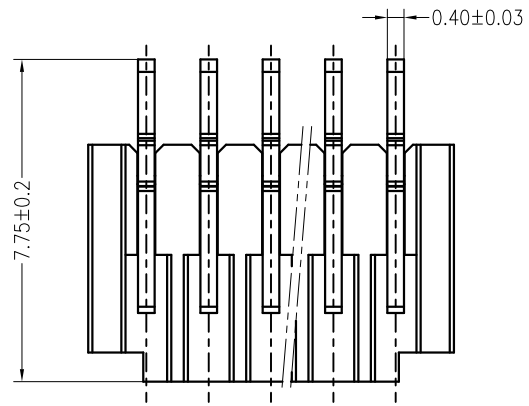


REV	DESCRIPTION	DESIGN	DATE
A0	NEW RELEASE	Tianfeng	2018/06/28



3D VIEWS

PIN.	DIM A	DIM B	DIM C
2pin	1.50	4.30	3.70
3pin	3.00	5.80	5.20
4pin	4.50	7.30	6.70
5pin	6.00	8.80	8.20
6pin	7.50	10.30	9.70
7pin	9.00	11.80	11.20
8pin	10.50	13.30	12.70
9pin	12.00	14.80	14.20
10pin	13.50	16.30	15.70
11pin	15.00	17.80	17.20
12pin	16.50	19.30	18.70
13pin	18.00	20.80	20.20
14pin	19.50	22.30	21.70
15pin	21.00	23.80	23.20

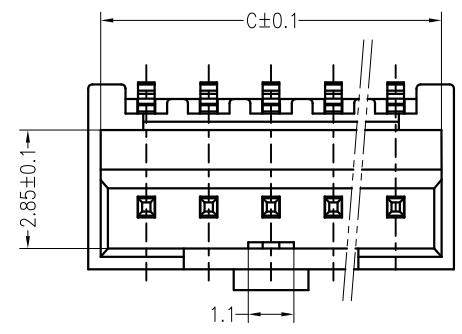
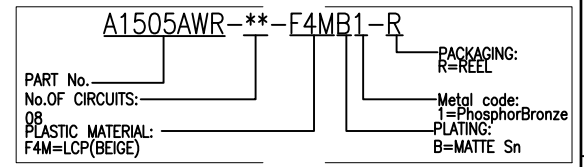


SUGGESTED PCB LAYOUT

Specifications:

- Poles: 02 to 15
- Contact resistance: ≤20mΩ
- Insulation resistance: ≥1000MΩ
- Rated voltage: 350V AC DC
- Rated current: 3.0A AC DC
- Withstand Voltage: 500V AC/minute
- Temperature Range: -25°C ~ +85°C
- Housing: LCP UL94V-0, Natural (Beige)
- Contacts: Phosphor Bronze/MATTE Sn

ORDER INFORMATION:



JKUN 温州健坤接插件有限公司 WENZHOU JKUN CONNECTOR CO.,LTD.		TITLE: 1.5mmPITCH 90°WAFER SMT TYPE	
GENERAL TOLERANCE		USE: CUSTOMER	PART NO.:
X. ±0.50	X. ±5°	APPD: Shaojinghe	A1505AWR-**-F4MB1-R
X.X ±0.30	X.X ±2°	CHKD: Tianfeng	DWG NO.:
X.XX ±0.20	X.XX ±1°	DR: Jiangjanyin	JKUN-GCCP-0786
UNITS: mm		SCALE 1 : 1	SHEET 1 / 1