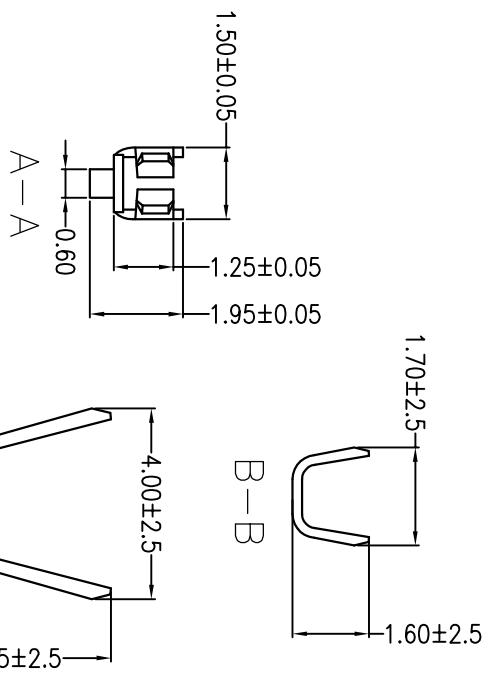
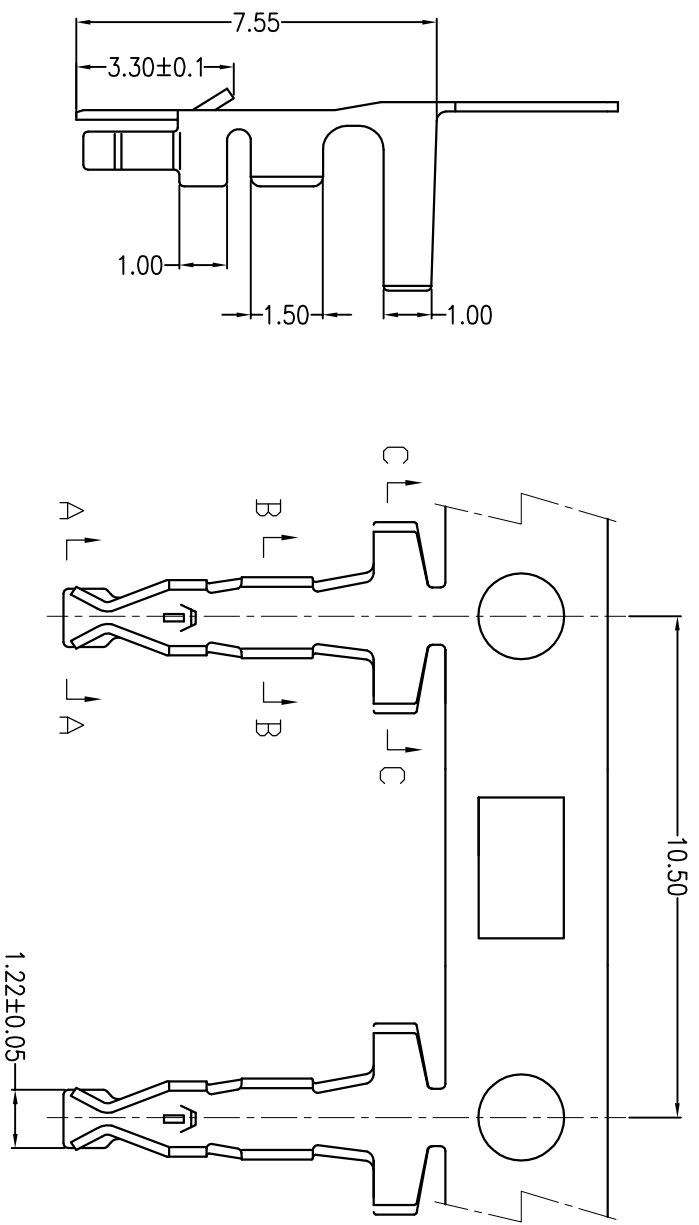


| REV | ECN No. | DESCRIPTION | DESIGN | DATE |
|-----|---------|-------------|--------|------------|
| A0 | | Release | 吴丹平 | 2017.05.31 |



Ordering Information & Specification:

| Part No | Wire Range | Insulation O. D. | Material | Finish | Qty/Reel |
|-----------|-------------|------------------|-----------------|-----------|----------|
| A4001T-PA | AWG #22~#28 | 2.40mm(MAX) | Phosphor bronze | Sn-plated | |

| | | | | | |
|----------------|--------|-------------|----------|----------------------------------|--|
| JKUN | | 温州健坤接插件有限公司 | | WENZHOU JKUN CONNECTOR CO., LTD. | |
| X.±0.5 | X.±5° | USE: | CUSTOMER | | |
| X.±0.3 | X.±2° | APPD: | 邵敬和 | | |
| .XX±0.25 | .XX±1° | CHKD: | 田峰 | | |
| --- | --- | DR: | 吴丹平 | | |
| UNITS: mm | | | | | |
| TITLE: A4001T | | PART NO.: | | A4001T-PA | |
| DWG NO.: | | SCALE | | SHEET | |
| JKUN-GCDZ-0016 | | 1 : 1 | | 1 / 1 | |

1 2 3 4 5

A B C D E F