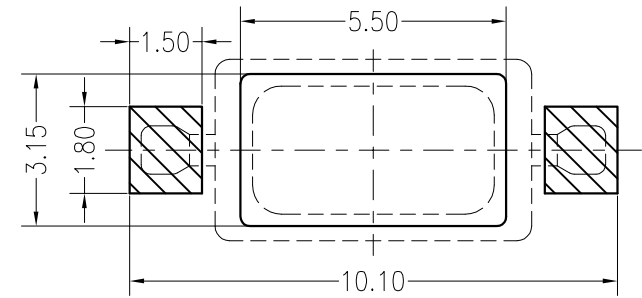
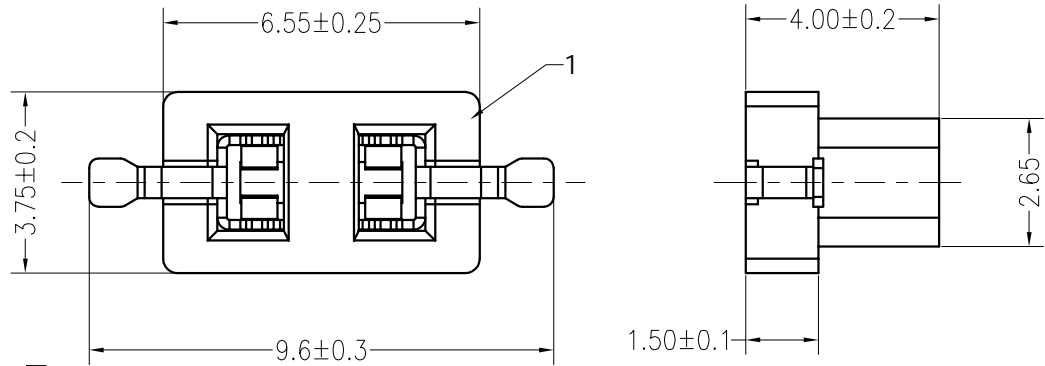
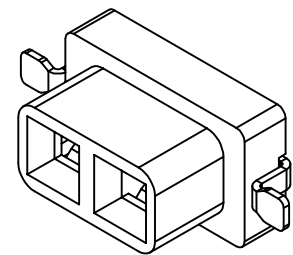
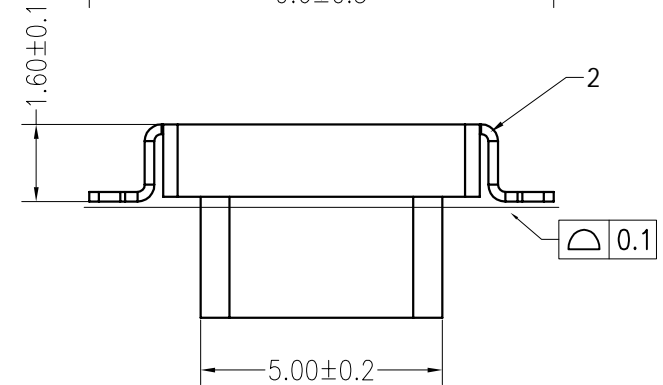


REV	ECN No.	DESCRIPTION	DESIGN	DATE
A0		Release	-	2018.07.02



Board Layout
General Tolerance: ±0.05



主要技术参数 Main Specifications

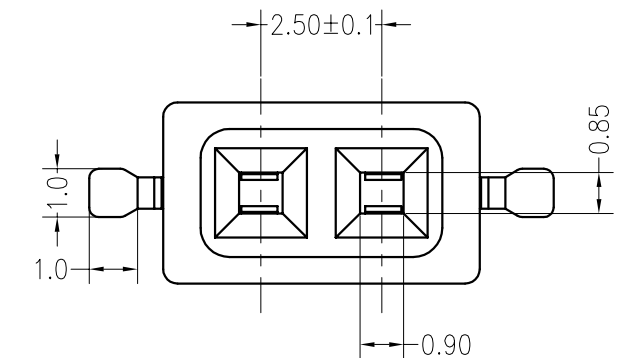
- 线数 (Poles): 02
- 接触电阻 (Contact resistance): ≤30mΩ
- 绝缘电阻 (Insulation resistance): ≥1000MΩ
- 额定电压 (Rated voltage): 250V AC DC
- 额定电流 (Rated current): 1.0A AC DC
- 耐电压 (Withstand Voltage): 500V AC/minute
- 温度范围 (Temperature Range): -40°C ~ +110°C

ORDER INFORMATION:

L2501AFV-02-F6MB1-R

PART No. _____
 No. FOR CIRCUITS: 02 _____
 PLASTIC MATERIAL: _____
 F6M=LCP(BEIGE) PLATING: B=MATTE Sn _____

PACKAGING:
 R=REEL P=PE
 Metal code:
 1=Phosphor bronze



C				
B	CONTACT	2 PCS	Phosphor bronze	TIN-plated
A	pedestal	1 PCS	LCP	UL 94V-0, COLOR:BEIGE
ITEM	COMPONENT	Q'TY	MATERIAL	FINISH

JKUN 温州健坤接插件有限公司 WENZHOU JKUN CONNECTOR CO., LTD.			TITLE: L2501AFV-02	
X.±0.5	X.±5'	USE:	PART NO.:	
.X±0.3	.X±2'	CUSTOMER	L2501AFV-02-F6MB1-R	
.XX±0.25	.XX±1'	APPD: 邵敬和	DWG NO.:	
--	--	CHKD: 田峰	JKUN-GCCP-1177	
⊕	UNITS: mm	DR: 蒋建银	SCALE	SHEET
			1 : 1	1 / 1